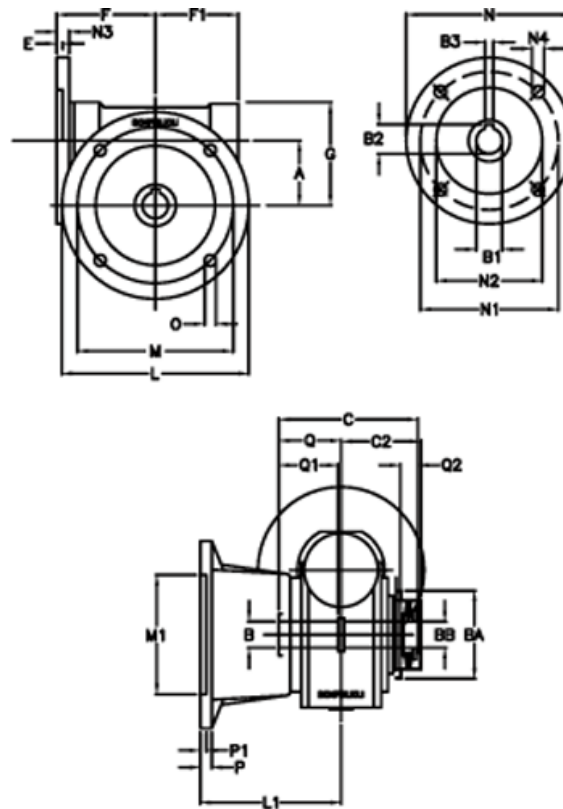


Article number: 390204904562836

Description: Worm Gear with Torque Limiter  
VF 49-L2-FA-45 P71B14

## Measures



|            |                                |           |          |
|------------|--------------------------------|-----------|----------|
| a = 49.5   | C2 = 64                        | m = 90    | P = 12   |
| B = 25     | Description = VF 49FA-xx-71B14 | M1 = 70   | P1 = 10  |
| B1 E7 = 14 | E = 3                          | N = 105   | Q = 51.0 |
| B2 = 16.3  | F = 70                         | N1 = 85   | Q1 = 41  |
| B3 H9 = 5  | F1 = 63                        | N2 = 70   | Q2 = 15  |
| BA = 63    | g = 80                         | N3 = 10.5 |          |
| BB H7 = 14 | L = 125                        | N4 = 6.5  |          |
| C = 105    | L1 = 115                       | O = 10.5  |          |